


REV: 11/16/16

Form No. 2653-087

<h1 style="margin: 0;">Arctic Cat® Snowmobile</h1> <h2 style="margin: 0;">Installation Instructions</h2> <h3 style="margin: 0;">Rear Pivot Axle Update Kit</h3> <p style="margin: 0;">(p/n 0637-495)</p>	
--	--

■ **NOTE:** Read these Installation Instructions thoroughly before beginning the installation process. Retain these Installation Instructions for future reference.

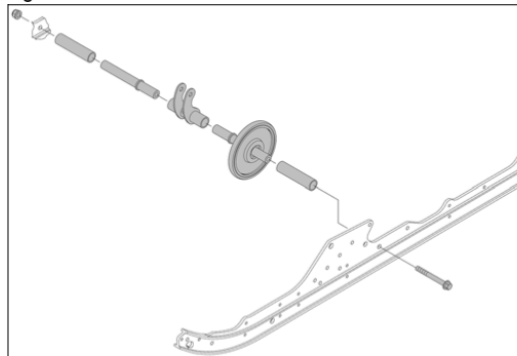
Kit includes:		
p/n	QTY	DESCRIPTION
4604-294	1	Steel Axle
2623-208	2	Retaining Ring
1602-553	2	O-Ring
1604-187	2	Washer
2623-078	1	Cap Screw (M10 x 373 mm)
2623-202	1	Lock Nut w/Washer (M10)
2653-087	1	Instructions

Tools Required:

- 13 mm Socket/Wrench
- 17 mm Socket/Wrench
- Snap Ring Pliers
- Rear Suspension Spring Tool (p/n 0144-311)
- Grease Gun
- Torque Wrench

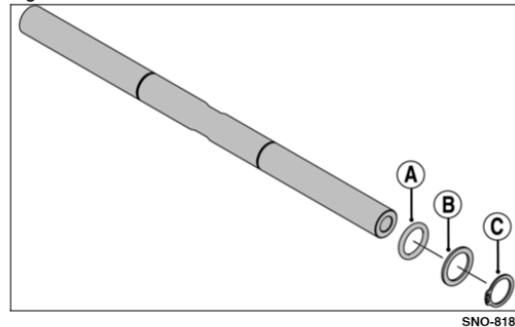
1. Elevate the rear of the snowmobile enough to remove the track from the ground.
2. Using the rear suspension spring tool, remove the suspension springs from both adjuster blocks relieving tension from the rear suspension.
3. Remove and discard the cap screw and nut securing the shock pivot and idler wheel assembly; then while holding up on the overload springs, remove and discard the existing axles, spacers, and idler wheels. See Fig. 1.

Fig. 1



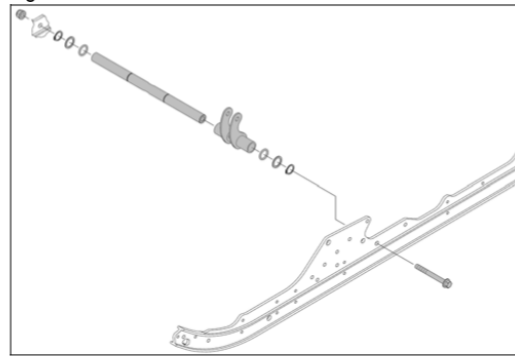
4. Install one O-Ring (A), Washer (B), and Retaining Ring (C) onto Steel Axle making sure the retaining ring is installed into the groove. See Fig. 2.

Fig. 2



5. While holding the overload springs up, install the steel axle assembly from the left-side of the skid frame through the shock pivot.
6. Install the other O-ring, washer, and retaining ring onto the steel axle making sure the O-ring is installed against the shock pivot and the retaining ring is installed into the groove in the steel axle.
7. Align the steel axle with the holes in the slide rails and secure using new Cap Screw (M10 x 373 mm) and M10 Lock Nut w/Washer. Torque nut to 45 ft-lb. See Fig. 3.

Fig. 3



8. Install the suspension springs onto the adjuster blocks and lower the rear of the snowmobile.
9. Apply low-temperature grease to the rear shock pivot.